

TMC SPECIFICATION

NO. S 1208

REV:

COMPILED: AGC

CHECKED:

APPD:

SHEET

OF

TITLE: AP129, AP129/50 Reliability Improvement

10/5/67 jb/

KIT 347

Bleeder Resistor Modification

AP129

TMC SPECIFICATION

NO. S 1208

REV: 0

COMPILED: AGC

CHECKED:

APPD:

SHEET 1 OF 4

TITLE: AP129, AP129/50 Reliability Improvement

10/5/67 jb/

I. EQUIPMENT AFFECTED

AP129 and AP129/50

II. PURPOSE

To increase reliability of equipment

III. MATERIALS SUPPLIED

<u>Item</u>	<u>TMC Part No.</u>	<u>Qty.</u>	<u>Description</u>
1	PX1023	1	Board, Insulator, Mtg.
2	FC103	6	Clip, Resistor
3	RW127-1	3	Resistors
4	SCBP0632BN10	4	Screw Machine, Binder Head
5	LWS06MRN	8	Lockwasher Split #6
6	FW06LBN	8	Flatwasher #6
7	NTH0632BN8	4	Nut, Hex Head #6

IV. TOOLS REQUIRED

To be supplied by Installing Activity

1. Screwdriver, Phillips #2
2. 3/8 X 7/16 Open (end wrench) or equivalent
3. 1/4 X 5/16 Open (end wrench) or equivalent

V. PROCEDURE

CAUTION -----CAUTION -----CAUTION

Remove all AC Input to Transmitter before proceeding with
Modification. Ground out all circuitry with adequate
shorting device.

TMC SPECIFICATION

NO. S 1208

REV: 0

COMPILED: AGC

CHECKED:

APPD:

SHEET 2 OF 4

TITLE: AP129, AP129/50 Reliability Improvement

10/5/67 jb/

1. Refer to Fig. I, become familiar with equipment. Remove bottom grill, locate Resistor Assembly.
 - a. Remove the three resistors and discard.
 - b. Disconnect ground and power leads.
 - c. Remove top bracket, discard, retain short and long connector straps and all hardware.
 - d. Remove three resistor clips on bottom bracket, discard, retain all hardware.

2. Refer to Fig. II
 - a. Using the original straps, hardware and in the same sequence and location as on the discarded top bracket, mount three each Resistor Clips (Item 2) on the Insulator Mounting Board (Item 1). Four each, (Items 4, 5 & 6) are supplied to mount the Insulator Mounting Board to the two vertical Insulator Boards.
 - b. Using original hardware, mount three each, Resistor Clips (Item 2) to the bottom board.
 - c. Insert the three resistors, (Item 3) into the Resistor Clips.
 - d. Reconnect leads as per Fig. II bringing equipment to operational status. Modification is complete.

TMC SPECIFICATION

NO. S 1208

REV: 0

COMPILED:

CHECKED:

APPD:

SHEET 3 OF 4

TITLE: AP129, AP129/50 Reliability Improvement

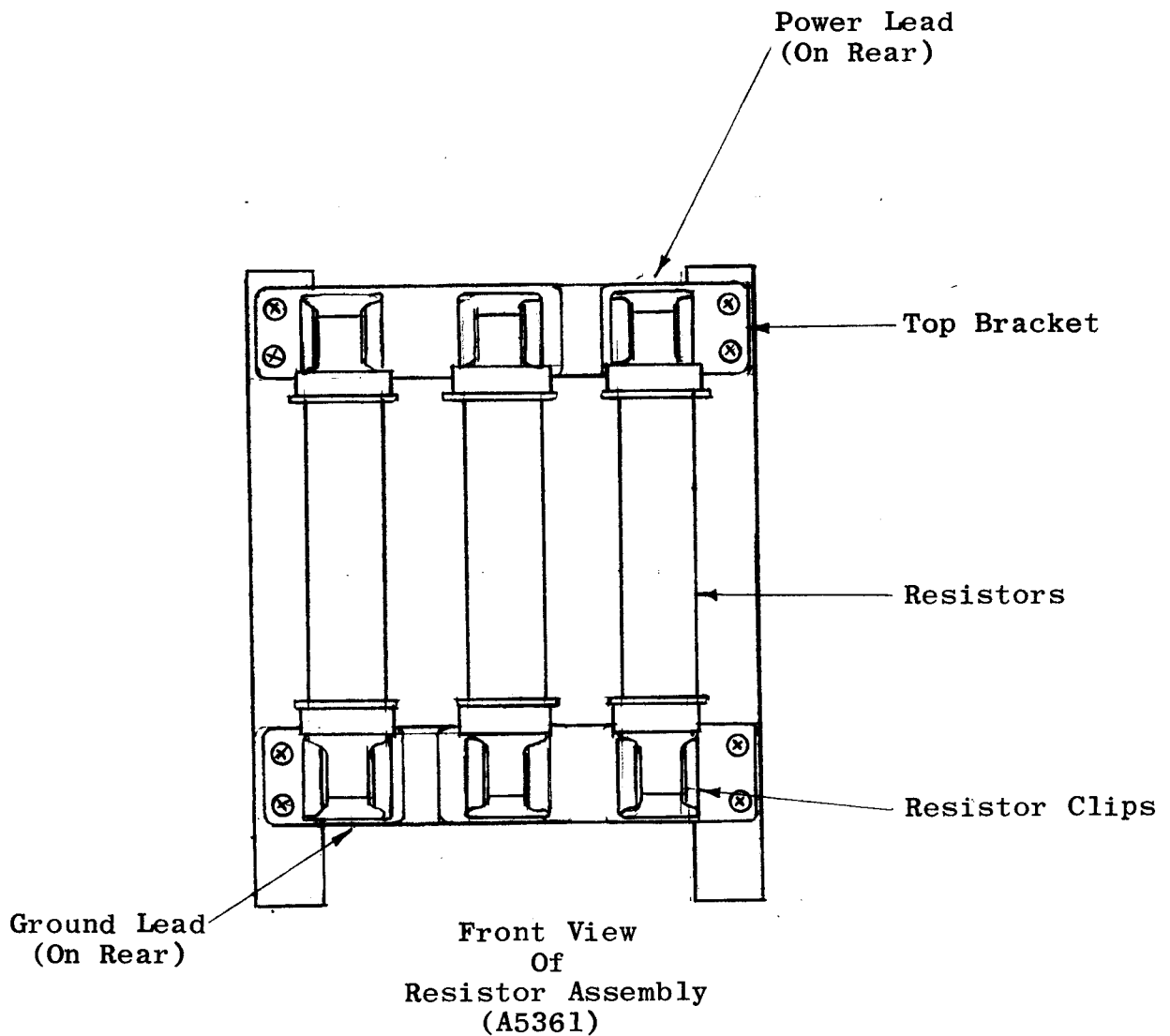


Figure I

TMC SPECIFICATION

NO. S 1208

REV: \emptyset

COMPILED:

CHECKED:

APPD:

SHEET 4

OF 4

TITLE: AP129, AP129/50 Reliability Improvement

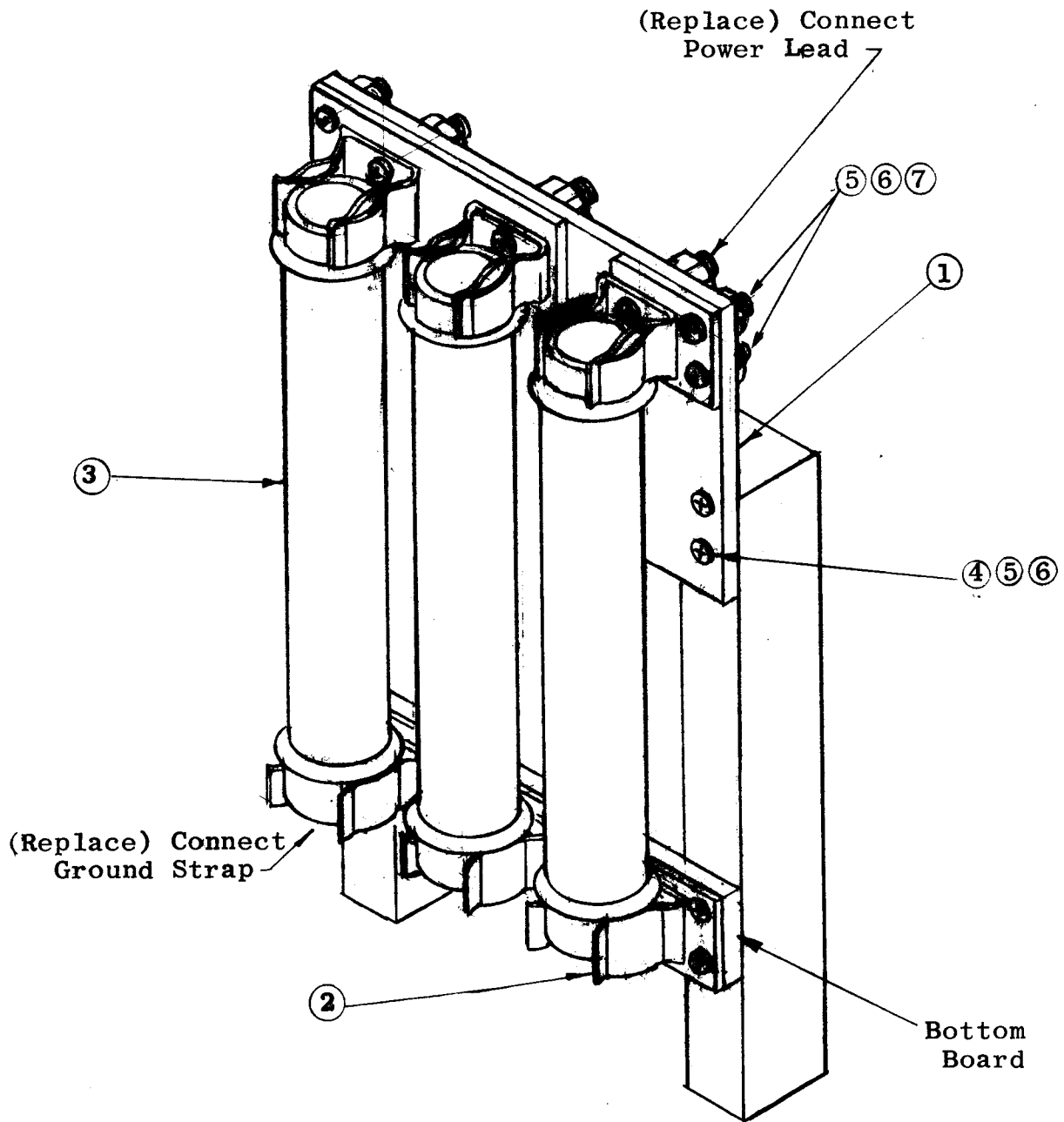


Figure II

